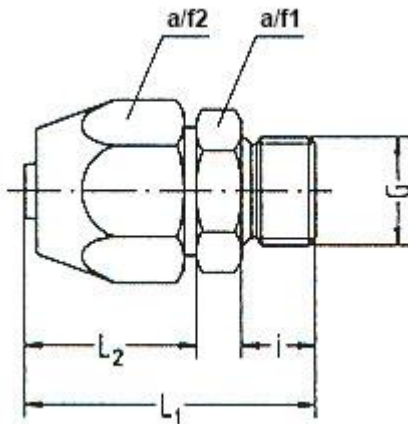


For PVC braided hose.



190/64

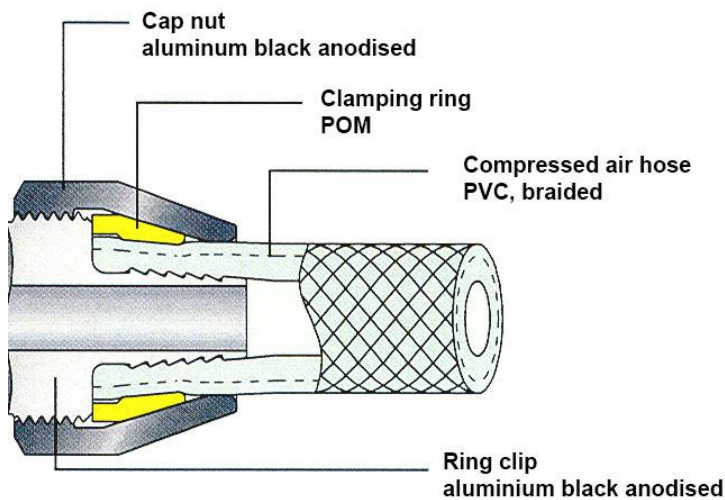
Male connectors for PVC braided hose, aluminium

Art. No.	Type No.	Thread	for PVC hose	a/f1 mm	a/f2 mm	l mm	L1 mm	L2 mm	Weight g
113759	190/40	G 1/8	4x10	17	17	6.5	30.5	19.0	12.0
113760	190/41	G 1/8	6x12	17	19	6.5	32.5	20.5	14.0
113761	190/51	G 1/4	4x10	17	17	9.0	33.0	19.0	12.0
113762	190/52	G 1/4	6x12	17	19	9.0	35.0	20.5	14.0
113763	190/53	G 1/4	8x14	22	22	9.0	38.0	23.0	23.0
113764	190/54	G 1/4	9x15	22	24	9.0	38.5	23.5	27.0
113765	190/55	G 1/4	10x16	22	24	9.0	38.5	23.5	27.0
113766	190/61	G 3/8	4x10	19	17	9.0	33.0	19.0	14.0
113767	190/62	G 3/8	6x12	19	19	9.0	35.0	20.5	16.0
113768	190/63	G 3/8	8x14	22	22	9.0	38.0	23.0	23.0
113769	190/64	G 3/8	9x15	22	24	9.0	38.5	23.5	27.0
113770	190/65	G 3/8	10x16	22	24	9.0	38.5	23.5	27.0
113771	190/66	G 3/8	12x21	27	30	9.0	41.0	25.0	45.0
113772	190/67	G 3/8	13x20	27	30	9.0	41.0	25.0	46.0
113773	190/71	G 1/2	4x10	24	17	11.0	36.0	19.0	20.0
113774	190/72	G 1/2	6x12	24	19	11.0	37.5	20.5	22.0
113775	190/73	G 1/2	8x14	24	22	11.0	40.0	23.0	27.0
113776	190/74	G 1/2	9x15	24	24	11.0	40.5	23.5	32.0
113777	190/75	G 1/2	10x16	24	24	11.0	40.5	23.5	31.0
113778	190/76	G 1/2	12x21	27	30	11.0	43.0	25.0	48.0
113779	190/77	G 1/2	13x20	27	30	11.0	43.0	25.0	48.0

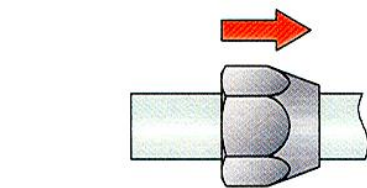
Advantages:

- Quick assembly of compressed air hoses.
- Frequent assembly and disassembly possible.
- No hose clamps required.
- Low weight.
- Robust.

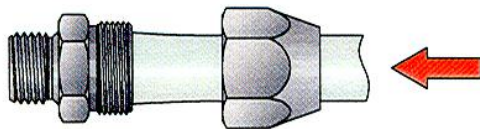
- Suitable for vacuum.



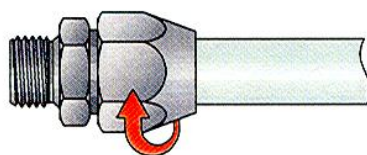
Handling:



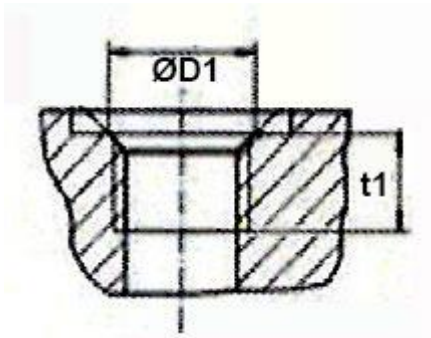
Hose end slightly grease outside,
Push the cap nut over the hose.



Press the hose up to the stop on the
hose extension..



Tighten the cap nut up to the collar.



Connection thread cylindrical - tightening torques for flat gaskets

Thread	Thread depth	Thread lowering	Torque max.		Standard thread
	t1 min. mm	ØD1 min. mm	Plastic sealing rings Nm	Al-, VS sealing rings Nm	
G 1/8	7.5	11.0	9	11	Pipe thread G: DIN ISO 228
G 1/4	11.0	14.2	18	21	
G 3/8	11.0	17.5	25	28	
G 1/2	12.0	22.0	34	48	